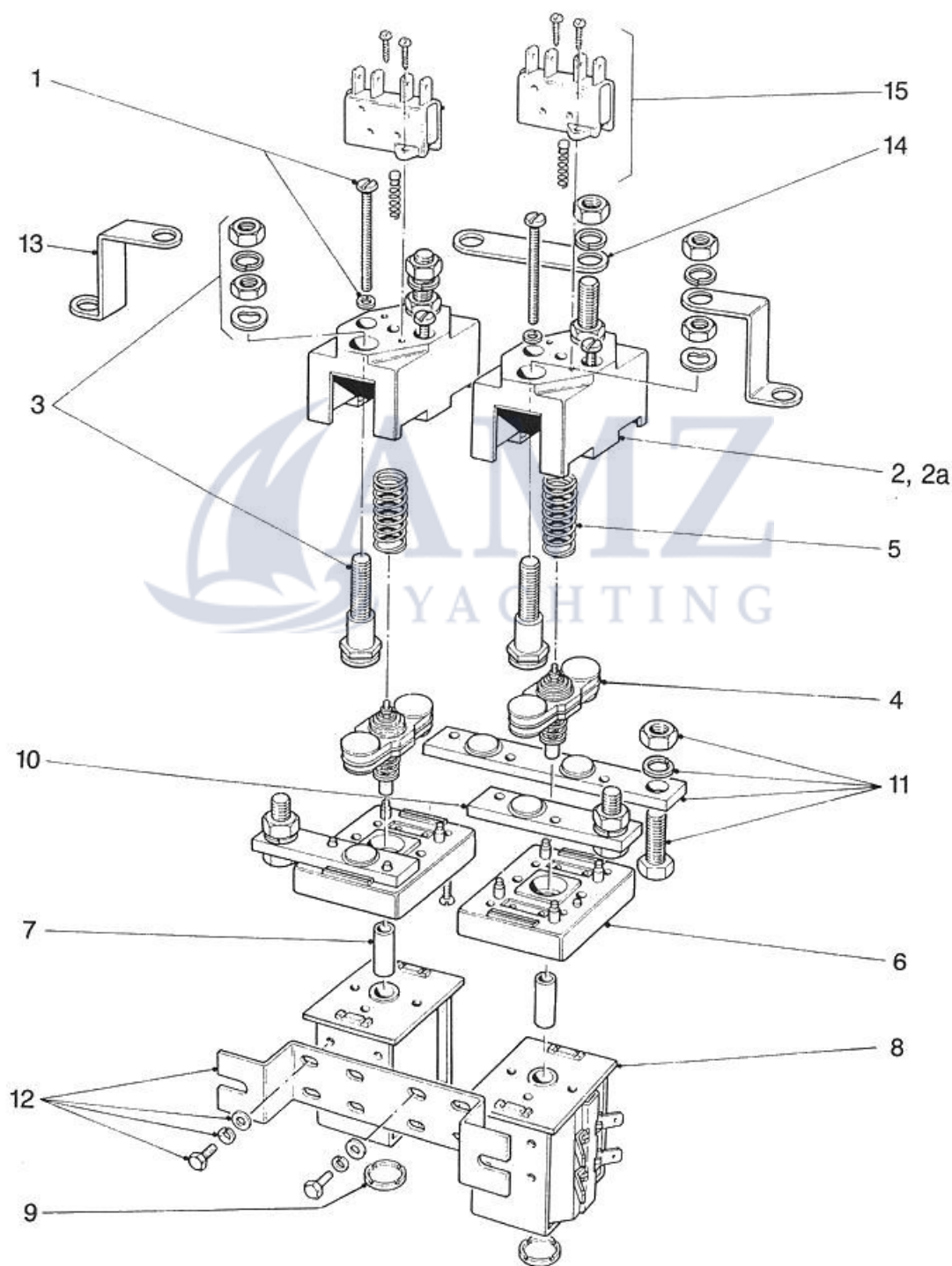




SPARE PARTS FOR SOLENOID SWITCH TYPES SW201 and SW202



ALBRIGHT INTERNATIONAL LTD.

125 Red Lion Road, Surbiton, Surrey, KT6 7QS, England.

Tel: +44 (0) 20 8390 5357 Fax: +44 (0) 20 8390 1927

Email: Technical: technical@albright.co.uk Sales: sales@albright.co.uk

Sept 07

Spare parts for Solenoid Switch types SW201 and SW202

Suffix 'A' indicates contactor built with auxiliary contacts

Suffix 'N' indicates contactor built without permanent magnetic blowouts

SW201 and SW202

Item	Part No.	Description	Quantity	
			SW201	SW202
1	2155-22	Top Cover Screw with Lock Washer	2	4
2	2155-3A	Top Cover Moulding (SW201N, SW202N)	1	2
	2155-65A	Top Cover Moulding (SW201, SW202)	1	2
	2155-3D	Top Cover Moulding (SW201AN, SW202AN)	1	2
	2155-65C	Top Cover Moulding (SW201A, SW202A)	1	2
2a	2155-3K	Top Cover Moulding, Enclosed – optional (SW201N, SW202N)	1	2
	2155-65F	Top Cover Moulding, Enclosed – optional (SW201, SW202)	1	2
	2155-3M	Top Cover Moulding, Enclosed – optional (SW201AN, SW202AN)	1	2
	2155-65S	Top Cover Moulding, Enclosed – optional (SW201A, SW202A)	1	2
2&3	2155-20G	Top Cover Moulding with fixed contacts, 2155-19 (SW201N, SW202N)	1	2
	2155-20A	Top Cover Moulding with fixed contacts, 2155-19 (SW201, SW202)	1	2
	2155-20F	Top Cover Moulding with fixed contacts, 2155-19 (SW201AN, SW202AN)	1	2
	2155-20H	Top Cover Moulding with fixed contacts, 2155-19 (SW201A, SW202A)	1	2
2a&3	2155-20P	Top Cover Moulding, Enclosed – optional – with fixed contacts, 2155-19 (SW201N, SW202N)	1	2
	2155-20AB	Top Cover Moulding, Enclosed – optional – with fixed contacts, 2155-19 (SW201, SW202)	1	2
	2155-20S	Top Cover Moulding Enclosed – optional – with fixed contacts, 2155-19 (SW201AN, SW202AN)	1	2
	2155-20AD	Top Cover Moulding Enclosed – optional – with fixed contacts, 2155-19 (SW201A, SW202A)	1	2
3	2155-19	Fixed Contacts with nuts and washers	2	4
4	2155-23A	Moving Contact Assembly complete with contact springs bushes and insulated parts	1	2
5*	2065-156A or 2065-43	Return Spring	1	2
6	2155-2	Top Cover Base Moulding	1	2
7	2155-7	Moving Contact Plunger included in Moving Contact Assembly 2155-23A	1	2
8*	2155-53	Assembled Coil and Magnet Frame	1	2
9	2155-281	End Cap	1	2
10	2155-43	Fixed Changeover Contact with nut, bolt and washer (single)	2	2
11	2155-64	Fixed Changeover Contact with nut, bolt and washer (double)	–	1
12	2155-56	Mounting Bracket with screws and washers	–	1
13	2155-48	Link (Cranked)	–	2
14	2155-50	Link (Straight)	–	1
15	2155-202	Auxiliary Contact Kit (SW201A, SW202A)	1	2
16	2155-250	Spare Contact Kit	1	–
17	2155-136	Spare Contact Kit	–	1

* When ordering these items please state full type number of contactor for which items are required.

Note: M10 nuts to items 3, 10 and 11 should be tightened to a torque of 13.4 to 14.6 Nm.

ALBRIGHT INTERNATIONAL LTD.

125 Red Lion Road, Surbiton, Surrey, KT6 7QS, England.

Tel: +44 (0) 20 8390 5357 Fax: +44 (0) 20 8390 1927 Email: Technical: technical@albright.co.uk Sales: sales@albright.co.uk

Sept 07